

# Container Lift Systems

## TEKA-Lift

for containers from  
1-5 | 30 | 50 | 180 kg

Dosage. Lubricate. Control.

### Little friction - lots of contact!

On the way to as little friction as possible, close contact with the TEKAWE GmbH customer is particularly important.

Because our products are almost always individual solutions that are developed with our customers.

That's why we look forward to receiving your inquiry. Tell us what you have in mind and we will work out a solution that works ... like clockwork!



**30 Jahre**  
**TEKAWE**  
Tribo- und Industrietechnik GmbH

### Contact

TEKAWE GmbH  
Siewekeweg 6  
D - 33758 Schloß Holte-Stukenbrock

Fon: +49 (0) 5207 - 9558-0  
Fax: +49 (0) 5207 - 9558-70

info@tekawe.de  
www.tekawe.de/en

 **TEKAWE**  
Tribo- und Industrietechnik GmbH

## General Information

The TEKAWE lift systems are used to quickly and easily change material containers for pasty media (e.g. greases, oils, adhesives). The otherwise labor intensive manual lifting of the scraper cover and grease pump is done pneumatically.

Special functional reliability is ensured by the scraper cover being pneumatically tracked when the container is not empty yet, thus preventing the cover from getting stuck. This ensures no air pockets are forming in the container and the grease pump not drawing in any air. An optional downholder set can be ordered for plastic containers.

## Functionality

Each grease pump is switched on by pressing the START button after the scraper cover has been inserted into the container by using the two-hand controls. If the container is almost empty, an acoustic warning signal sounds briefly.

Should the container be empty, the system switches off automatically and a continuous acoustic signal sounds. This must be switched off manually by the operator.

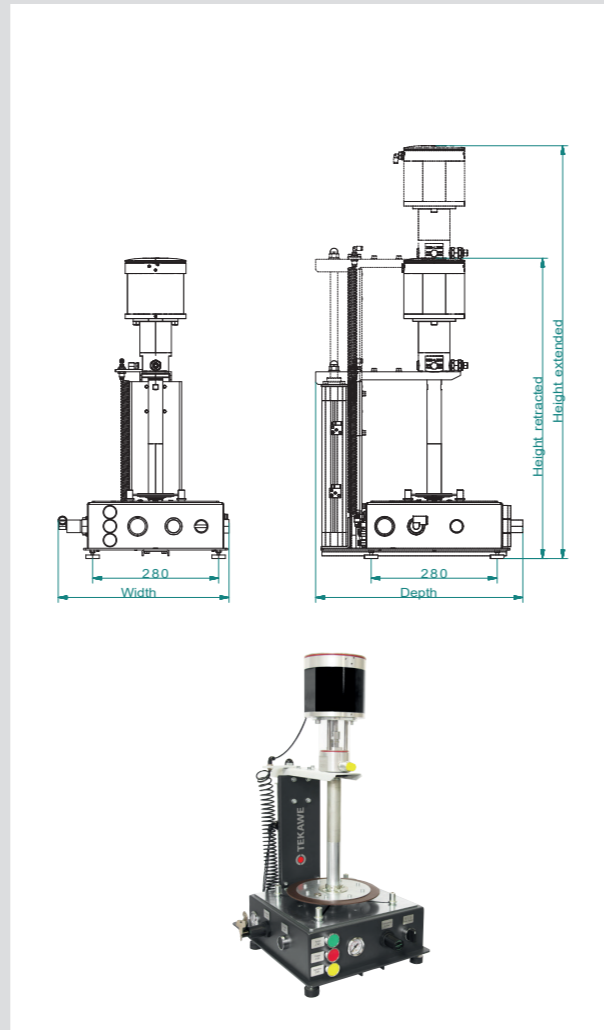
The grease pump and scraper cover can now be raised using the selector switch. In this position, a new container of material can be inserted, or rather the empty container can simply be replaced.

## All benefits in one place

- Convenient and easy handling.
- Quick and easy container change.
- Complete emptying of the container.
- Mount for plastic and metal containers.
- Stable due to sturdy base plate.
- Regulator for scraper lid with lockable key switch.

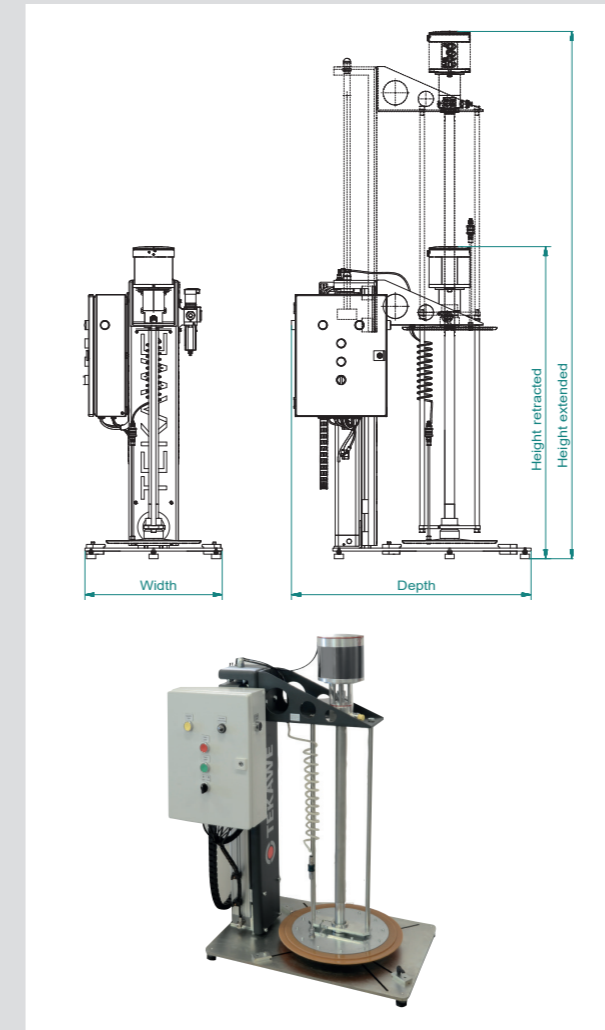
## Container Lift Systems

**TEKA-Lift 5** for containers from 1-5 kg

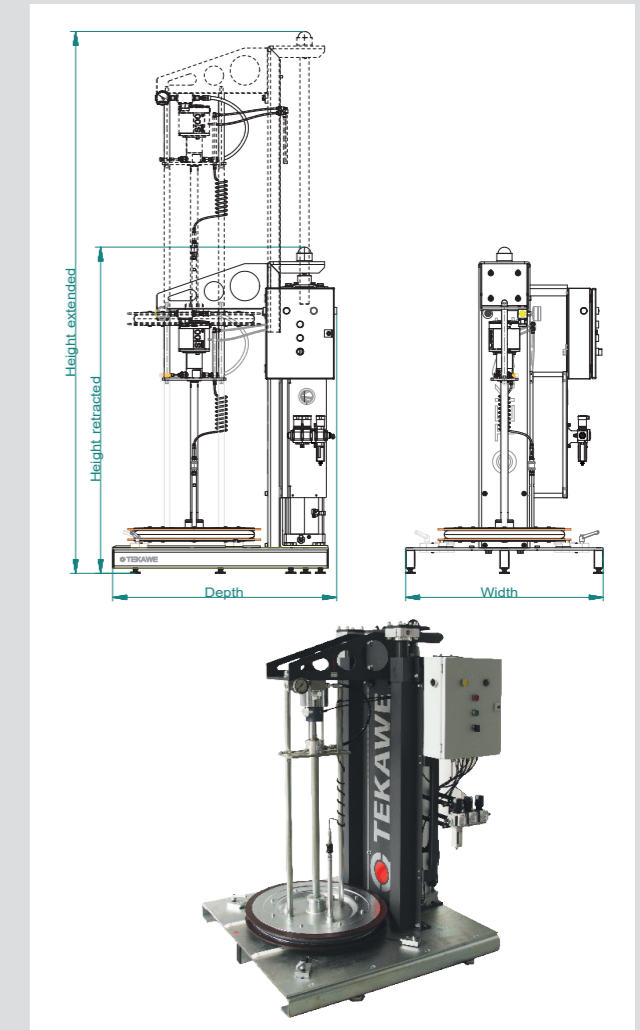


**TEKA-Lift 30** for containers from 10 - 30 kg

**TEKA-Lift 50** for containers from 10 - 50 kg



**TEKA-Lift 180** for containers from 180 kg



## Technical Data

	High pressure pump	Mid pressure pump
Translation air- / material pressure	60 : 1	25 : 1
Flow rate per double lift	13 cm <sup>3</sup>	31 cm <sup>3</sup>
Conveyor rate at pump outlet	700 cm <sup>3</sup> / min.	1500 cm <sup>3</sup> / min.
Air volume	200 L/min.	200 L/min.
Input pressure min./max.	2/10 bar	
Working pressure pump at 6 bar	360 bar	150 bar
Max. NLGI-Class:	3	

Dimensions in mm	TEKA-Lift 5	TEKA-Lift 30	TEKA-Lift 50	TEKA-Lift 180
Dimensions W x D	390 x 480	695 x 430	715 x 490	945 x 620
Height extended	ca. 1000	ca. 1250	ca. 1730	ca. 2500
Height retracted	ca. 730	ca. 800	ca. 1030	ca. 1500

## Versions

Description	Product-No.
<b>TEKA-Lift 5</b> for containers from 1 - 5 kg	1.52 00.2
<b>TEKA-Lift 30</b> for containers from 10 - 30 kg	1.57 15.4
<b>TEKA-Lift 50</b> for containers from 10 - 50 kg	1.57 22.1
<b>TEKA-Lift 180</b> for containers up to 180 kg	1.57 40.2

Options	Product-No.
Pneumatic-elektrischer Converter	1.57 05.1
Mobile carriage (10 - 30 kg)	1.57 06.1
(SPS) Elektrischer Controller (S7)	6.10 10.1
Downholder for KS-drums 10 - 30 kg	1.57 00.1
Downholder for KS-drums 15 - 50 kg	1.57 01.1

## Scraper Lids

Beschreibung	Product-No.
<b>For 1-kg-can</b> (Ø 95 - 105)	2.78 02.2
<b>For 2-kg-can</b> (Ø 155 - 170)	2.78 04.1
<b>For 5-kg-can</b> (Ø 190 - 205)	2.78 06.1
<b>For (inner drum-Ø 260 - 300)</b>	2.78 48.1
<b>For (inner drum-Ø 260 - 300) reinforced</b>	2.78 48.2
<b>For (inner drum-Ø 290 - 340)</b>	2.78 45.1
<b>For (inner drum-Ø 290 - 340) reinforced</b>	2.78 45.2
<b>For (inner drum-Ø 325 - 380)</b>	2.78 47.1
<b>For (inner drum-Ø 325 - 380) reinforced</b>	2.78 47.2
<b>For (inner drum-Ø 370 - 405)</b>	2.78 46.1
<b>For (inner drum-Ø 370 - 405) reinforced</b>	2.78 46.2