

Custom Metering Unit

Dosing ranges
0,001 cm³ – 6 cm³



Dose. Lubricate. Control.

Contact

TEKAWE GmbH
Siewekeweg 6
D-33758 Schloß Holte-Stukenbrock
Fon: +49 (0) 5207 – 9558 – 0
Fax: +49 (0) 5207 – 9558 – 70
info@tekawe.de | www.tekawe.de

 **TEKAWE**
Tribotechnik- und Industrietechnik GmbH

General Information

Didn't find what you were looking for? We customize standard metering units precisely and individually for your application. The metering unit shown, for example, is equipped with an extra small lubrication head and is not available commercially.

Construction and Function

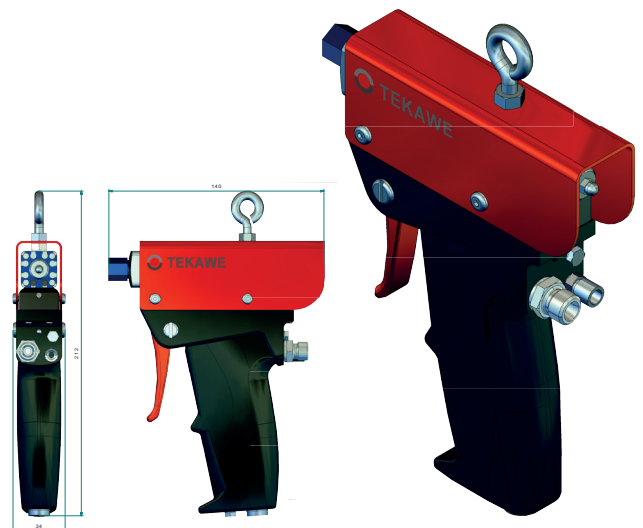
Metering valves with an ergonomic handle for comfortable and handy operation, also suitable for connection to a balancer. The lubricant supply and air supply can be connected to either the lower or rear part of the handle.

The inlet and outlet of the dosing chamber are opened and closed by means of a pneumatically driven control needle. The dosing volume is continuously adjustable via an adjusting screw.

The pneumatic part of the dosing valve is controlled by a pneumatic 5/2-way valve built into the handle: grease dosing is initialized by actuating the trigger. The air and grease chambers are separated from each other. Optionally available with a sensor to increase process safety.



Example: Metering unit 9.01 01.3
Metering valve with handle: horizontal



Technical Data

Metering valves horizontal and vertical				
Dosing group (DG)	DG 1	DG 2	DG 3	DG 4
Dosing area	0.001 – 0.020 cm ³	0.010 – 0.200 cm ³	0.10 – 2.00 cm ³	1.00 – 6.00 cm ³
Min. / max. pneum. operating pressure	5.0 bar / 7.0 bar			
Min. / max. working pressure medium	20 bar / 200 bar			
Medium output connection	M5 incl. dosing needle adapter		G1/8"	
Mounting thread	3 x M4x6		2 x M4x6	
Medium input connection	G1/8" *		G1/4"	
Application medium specification	Lubricants NLGI 0 – NLGI 3			

Optional accessories

Magnetic field sensor (2-fold monitoring of grease piston)

Dosing needle set

More types on request.

* Exception: Metering unit with handle PEN, connection medium input = female thread M8x1 with pre-assembled plug connection