

Mobile Greasing Trolley

Little friction - lots of contact!

Close contact with our customers is particularly important to TEKAWE GmbH on the way to minimising friction. This is because our products are almost always customized solutions developed in consultation with our customers.

That's why we look forward to receiving your enquiry. Tell us what you have in mind and we will work out a solution that works... like a well-oiled machine!



Dosage. Lubrication. Control.



Contact

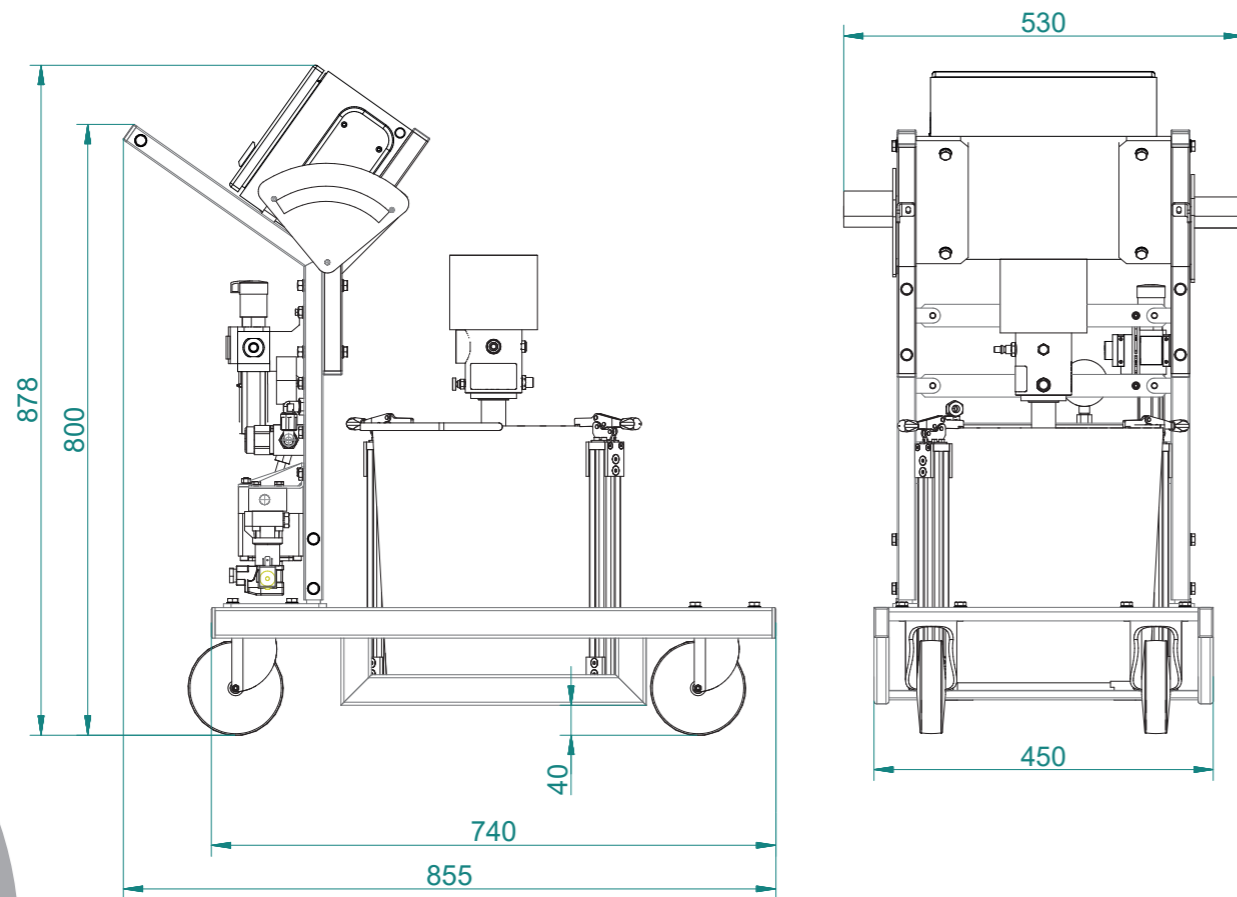
TEKAWE GmbH
Siewekeweg 6
D - 33758 Schloß Holte-Stukenbrock

Fon: +49 (0) 5207 - 9558-0
Fax: +49 (0) 5207 - 9558-70

info@tekawe.de
www.tekawe.de



Design and Function



Description of Function

This system is used for greasing and lubricating components, systems, and machines.

The amount of lubricant can be set and saved as required, so that the components, systems, or machines that have to be greased always receive the same amount of lubricant. The grease is dispensed at a pressure of at least 50 bar.

Lubrication

The medium that has to be processed (grease) is applied via the HD-Gun PN 400. The previously defined quantity of grease stored in the control unit is counted by the volume counter. As soon as the desired quantity has been reached, the 2/2-way valve closes the discharge line.

If further greasing is needed, the volume counter must be zeroed and the 2/2-way valve released. During greasing, the HD-Gun PN 400 can be actuated as often as required to start greasing.

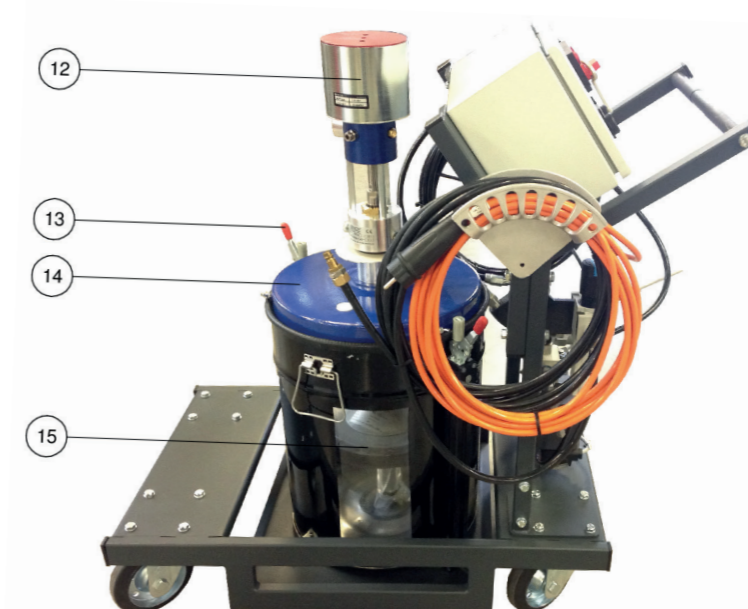
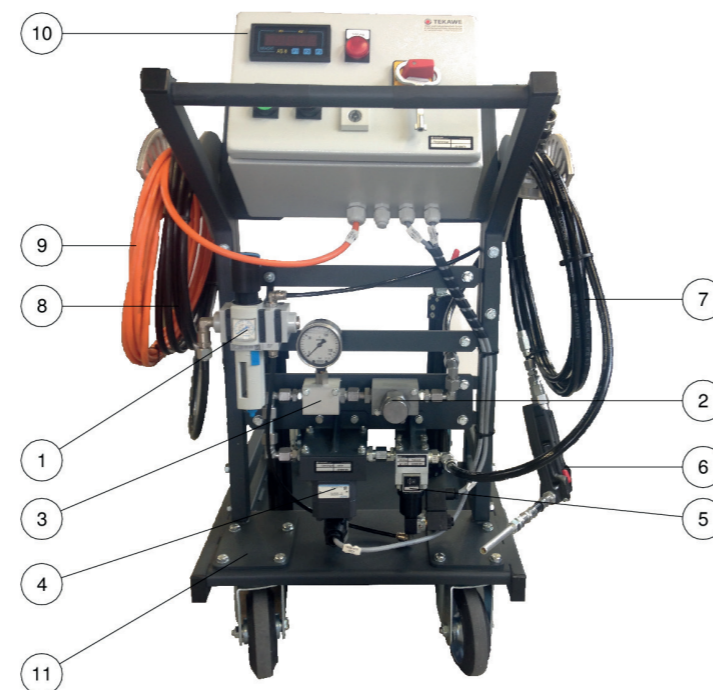
Technical Data

Power supply:	230V AV / 50 Hz
Nominal system current:	~ 2A
Fuse voltage:	24V DC
Flow measuring rate:	0,02...4 l/min
Measuring unit start-up at:	0,004 l/min
Storable dosing quantities:	6
Application medium specification:	NLGI 3 / 5'000 m Pa.s
Max. air usage:	200 l/min.
Min. / Max. Input working pressure:	2 / 10 bar
Max. operating pressure:	400 bar

All advantages at a glance

Time savings & simplified maintenance

- No cartridge change necessary, as pumping is done directly from the container or drum.
- The quantity can be adjusted to the lubrication point (over-lubrication does not occur).
- 6 different dosing quantities can be stored simultaneously
- Easy lubrication thanks to the ergonomic HD gun (incl. reset button for the metering unit).
- One-handed operation for the HD-gun
- Clean emptying of the container due to the follower plate.



Components

- 1 Compressed air service unit
- 2 Grease filter
- 3 Manometer
- 4 Volume counter
- 5 2/2-way valve
- 6 HD-Gun PN 400
- 7 Grease pressure hose L=5000 mm
- 8 Air pressure hose with plug-in coupling NW 7,2
- 9 Electrical plug 230V
- 10 Control
- 11 Trolley
- 12 Pump
- 13 Clamp
- 14 Dust cover
- 15 Scraper lid