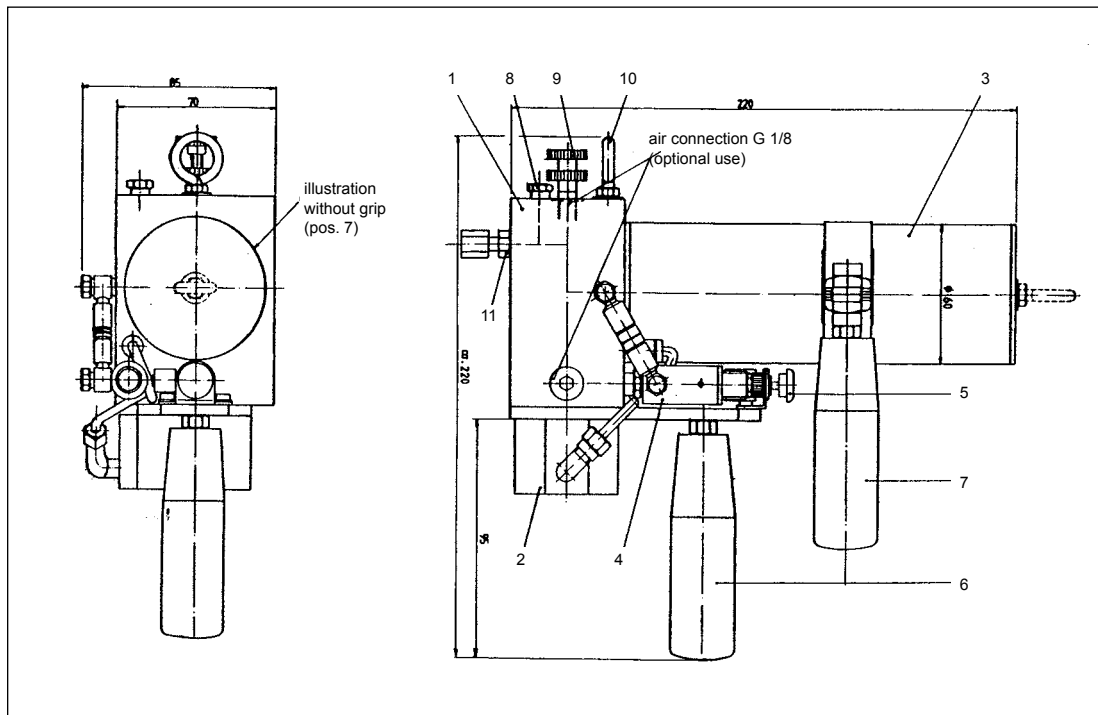


Pneumatic metering gun for grease-cartridges for the use at hand-work places,
e.g. for greasing of ABS-sensor holes.
The metering volume is adjustable from 0-300 mm³ or 0-500 mm³.

For this metering system we design and produce appropriate greasing tools
according to the workpiece to lubricate.

Technical data

inlet pressure 3 - 6 bar
outlet medium pressure max. 170 bar



- Pos. 1 metering unit
- Pos. 2 metering cylinder
- Pos. 3 cartridge tube
- Pos. 4 pressure reducing valve
- Pos. 5 operating button
- Pos. 6 grip
- Pos. 7 grip with spring clamp
- Pos. 8 bleeder screw
- Pos. 9 metering screw
- Pos. 10 ring picot
- Pos. 11 return valve

edition: 02.08.11

Denomination	metered volume	Item-No.
pneumatic metering gun for grease cartridges Ø 50 x 130 mm	0 - 300 mm ³	1.12 00.1

43e-7550-1

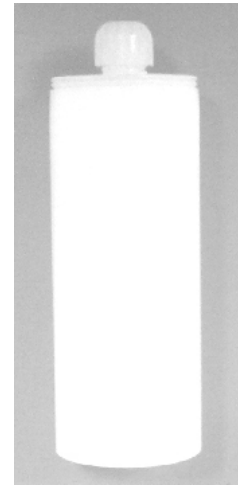
Grease cartridge empty

Plastic grease cartridge for use with metering systems, e.g. described in leaflet 43e-7540 and 43e-7550.

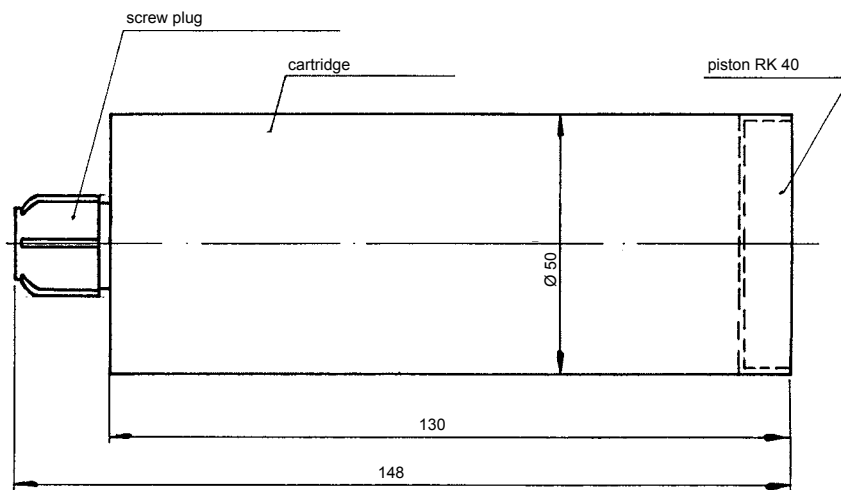
This grease cartridges can be filled with any required grease.

Technical data

filling quantity 150 ml
material synthetic material PA



43e-7550-2



Denomination	filling quantity	material	Item-No.
grease cartridge, empty	150 ml	synthetic material PA	3.20 00.1

edition: 02.08.11

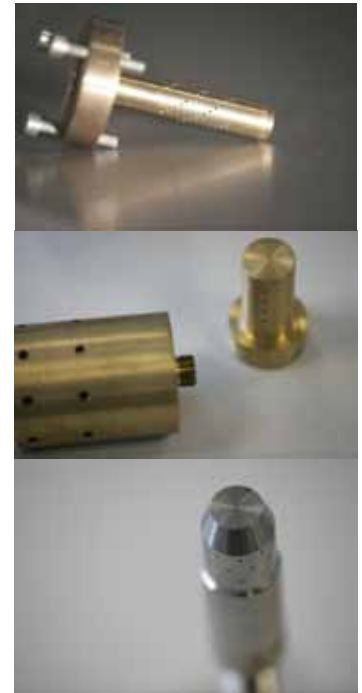
Greasing tools for the application of grease and other viscous media in combination with our metering units and systems.

For use cases of all kinds, e.g. the greasing of individual surfaces, holes, axles etc., we design and produce special greasing tools and application units.

In combination with our cartridge metering unit (e.g. leaflet 43e-7540 and 43e-7550) you get a complete metering system, which is matched to your greasing-process.

application types: - punctual
- linear- or laminar
- volume filling

Examples:



43e-7550-3